

FOOT VALVES



OVERVIEW

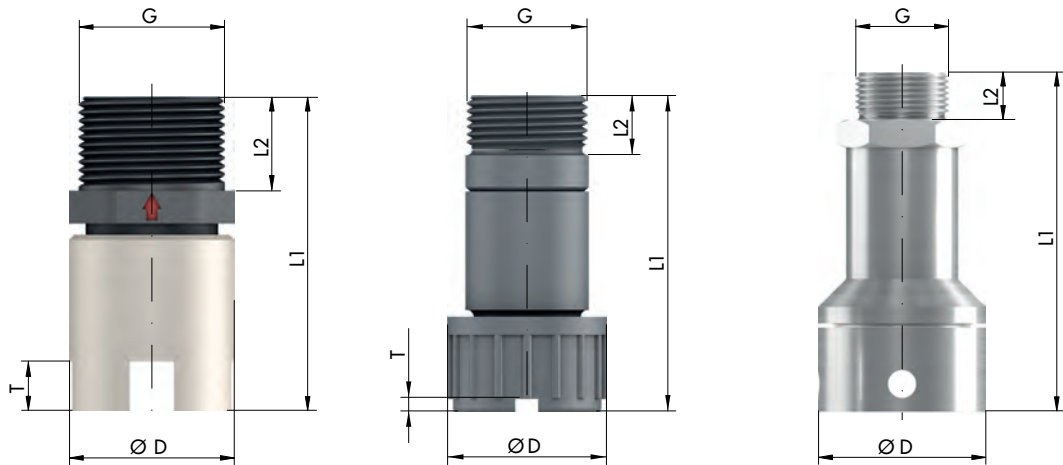
Compact design
Easy installation
Maintenance free
High quality materials

TECHNICAL DATA

		781.1	783.1	731	732	733
Nominal width	DN	8	20	8	15	20
Max. permissible operating pressure	bar	10	10	10	10	3
Max. flow rate*	l/h	200	1450	200	600	1100
Max. volume of pump's stroke	cm ³	20	190	20	100	190

*at a viscosity of max. 50mPas

DIMENSIONS



		781.1	783.1	731	732	733
G		G ³ / ₄	G1 ¹ / ₄	G ³ / ₄	G1	G1 ¹ / ₄
D	PVC-U	–	–	31	–	–
	PP-FRP, PVDF-FRP	30	50	–	–	–
	1.4571	–	–	30	60	80
L1		50	82	70	121	129
L2	PVC-U	–	–	13	–	–
	PP-FRP	18	25	–	–	–
	PVDF-FRP	18	24	–	–	–
	1.4571	–	–	13	17	20

(Dimensions in mm)

BASIC DESIGNS



Foot valve (Plastic)

Properties

- Compact design
- Easy installation
- High-quality materials
- Maintenance-free

Basic version

- Ball: **PTFE**
- Sieve: **ETFE**
- Mesh size: **1mm**

Type	DN	Connection	Material	Seals	Article-No.	Price (EUR)
781.1	8	G 3/4	PVDF/PVDF-GFK	FEP	30073008	▲

783.1	20	G 1 1/4	PP/PP-GFK	EPDM	37600552	▲
--------------	----	---------	-----------	------	----------	---

783.1	20	G 1 1/4	PP/PP-GFK	FPM	37600553	▲
--------------	----	---------	-----------	-----	----------	---

783.1	20	G 1 1/4	PVDF/PVDF-GFK	FEP	30073018	▲
--------------	----	---------	---------------	-----	----------	---



Foot valve (plastic)

Properties

- Compact design
- Easy installation
- High-quality materials
- Maintenance-free

Basic version

- Ball: **PTFE**
- Sieve: **ETFE**
- Mesh size: **1mm**

Type	DN	Connection	Material	Seals	Article-No.	Price (EUR)
731	8	G 3/4	PVC-U	EPDM	37601636	▲



Foot valve (Stainless steel)

Properties

- Compact design
- Easy installation
- High-quality materials
- Maintenance-free

Basic version

- Ball: **1.4401**
- Sieve: **ETFE**
- Mesh size: **1mm**

Type	DN	Connection	Material	Seals	Article-No.	Price (EUR)
731	8	G 3/4	1.4571	FEP	37601149	▲

732	15	G 1	1.4571	FEP	37603325	▲
------------	----	-----	--------	-----	----------	---

733	20	G 1 1/4	1.4571	FEP	37603962	▲
------------	----	---------	--------	-----	----------	---